

TRAÍLLAS
SCRAPERS
SCRAPERS



TRAÍLLA HIDRÁULICA DE EMPUJE
 HYDRAULIC PUSH SCRAPER
 SCRAPER À POUSÉE HYDRAULIQUE

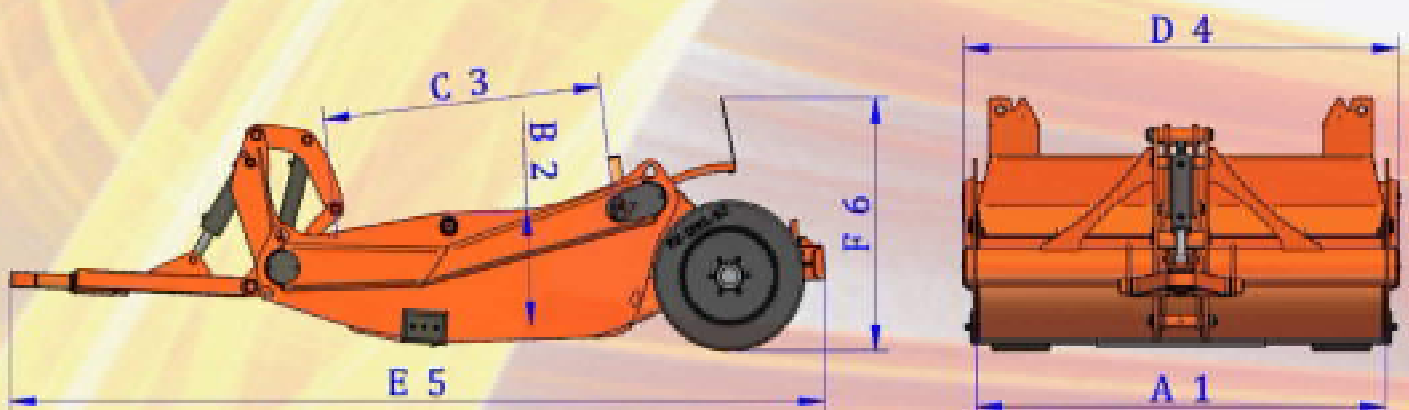
TH 25



2 RUEDA / WHEEL / ROUE 12-16,5 10PR

| MODELO MODEL/MODÈLE | A1 | B2 | C3 | D4 | E5 | F6 | M ³ | HP | KG |
|------------------------|------|-----|------|------|------|------|----------------|--------|------|
| TH25-2,20 | 2200 | 660 | 1640 | 2340 | 4570 | 1420 | 2 1/2 | 90-100 | 2850 |
| TH25-2,30 | 2300 | 660 | 1640 | 2440 | 4570 | 1420 | 3 | 90-100 | 2950 |

* Medidas aproximadas / * Approximate measurements / * Mesures approximatives





TRAÍLLA HIDRÁULICA DE EMPUJE

HYDRAULIC PUSH SCRAPER

SCRAPER À POUSÉE HYDRAULIQUE

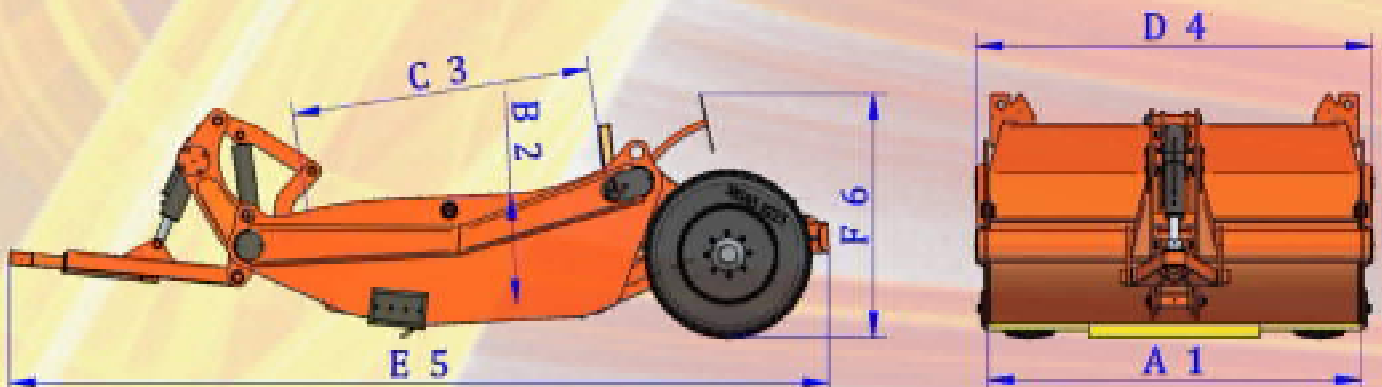
TH 30



2 RUEDA / WHEEL / ROUE 385/65 R22,5

| MODELO MODEL/MODÈLE | A1 | B2 | C3 | D4 | E5 | F6 | M ³ | HP | KG |
|------------------------|------|-----|------|------|------|------|----------------|---------|------|
| TH30-2,35 | 2350 | 720 | 1920 | 2550 | 5260 | 1570 | 3 1/2 | 100-120 | 3660 |
| TH30-2,40 | 2400 | 720 | 1920 | 2600 | 5260 | 1570 | 4 | 100-120 | 3730 |

* Medidas aproximadas / * Approximate measurements / * Mesures approximatives





TRAÍLLA HIDRÁULICA DE EMPUJE

HYDRAULIC PUSH SCRAPER

SCRAPER À POUSÉE HYDRAULIQUE

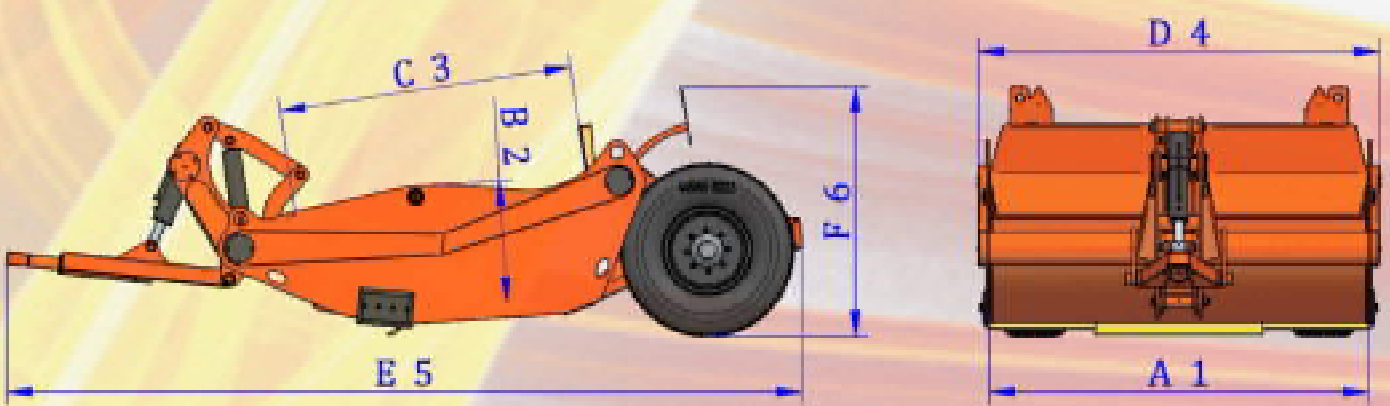
TH 35



2 RUEDA / WHEEL / ROUE 445/65-22,5

| MODELO MODEL/MODÈLE | A1 | B2 | C3 | D4 | E5 | F6 | M ³ | HP | KG |
|------------------------|------|-----|------|------|------|------|----------------|---------|------|
| TH35-2,40 | 2400 | 750 | 2000 | 2550 | 5240 | 1650 | 4 1/2 | 120-140 | 3910 |
| TH35-2,50 | 2500 | 750 | 2000 | 2650 | 2540 | 1650 | 5 | 120-140 | 3995 |

* Medidas aproximadas / * Approximate measurements / * Mesures approximatives





TRAÍLLA HIDRÁULICA DE EMPUJE
 HYDRAULIC PUSH SCRAPER
 SCRAPER À POUSÉE HYDRAULIQUE

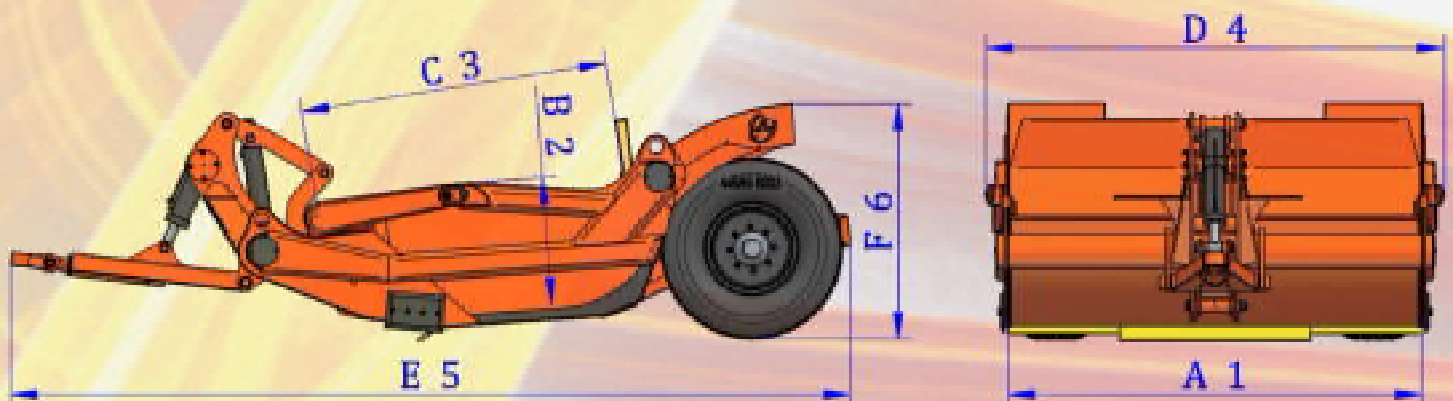
TH 38



2 RUEDA / WHEEL / ROUE 445/65-22,5

| MODELO MODEL/MODÈLE | A1 | B2 | C3 | D4 | E5 | F6 | M ³ | HP | KG |
|------------------------|------|-----|------|------|------|------|----------------|---------|------|
| TH38-2,50 | 2500 | 800 | 2000 | 2800 | 5280 | 1480 | 5 | 140-160 | 4160 |
| TH38-2,60 | 2600 | 800 | 2000 | 2900 | 5280 | 1480 | 5 1/2 | 140-160 | 4280 |

* Medidas aproximadas / * Approximate measurements / * Mesures approximatives





TRAÍLLA HIDRÁULICA DE EMPUJE
 HYDRAULIC PUSH SCRAPER
 SCRAPER À POUSÉE HYDRAULIQUE

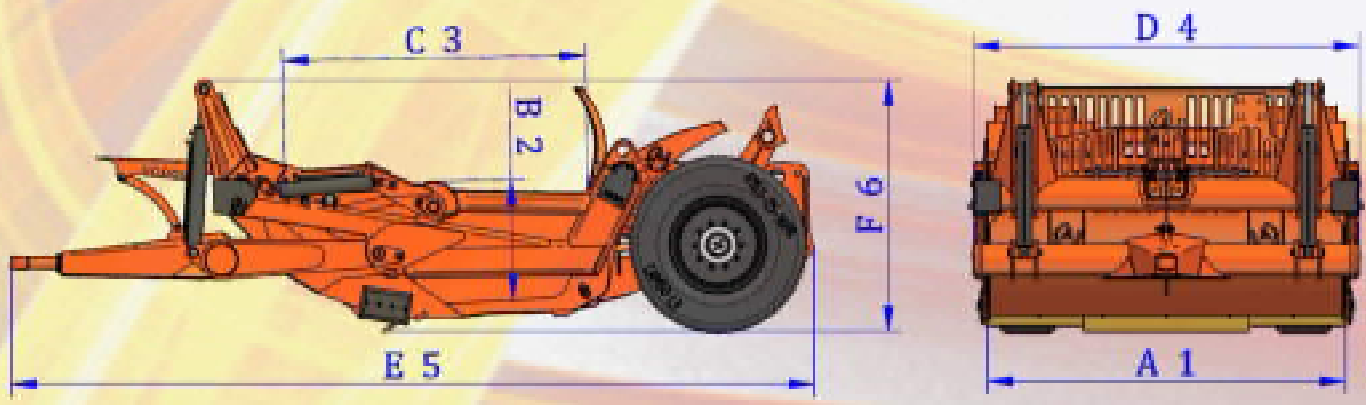
TH 39-BP



2 RUEDA / WHEEL / ROUE 15,5-25 16PR

| MODELO MODEL/MODÈLE | A1 | B2 | C3 | D4 | E5 | F6 | M ³ | HP | KG |
|------------------------|------|-----|------|------|------|------|----------------|---------|------|
| TH39BP-2,50 | 2500 | 875 | 2150 | 2800 | 5620 | 1820 | 6 | 180-200 | 5600 |
| TH39BP-2,60 | 2600 | 875 | 2150 | 2900 | 5620 | 1820 | 6 1/2 | 180-200 | 5800 |

* Medidas aproximadas / * Approximate measurements / * Mesures approximatives





TRAÍLLA HIDRÁULICA DE EMPUJE

HYDRAULIC PUSH SCRAPER

SCRAPER À POUSÉE HYDRAULIQUE

TH 42-BP



- Soporte mastil incluido
- Rejillas delantera y trasera incluida
- Parte trasera cerrada

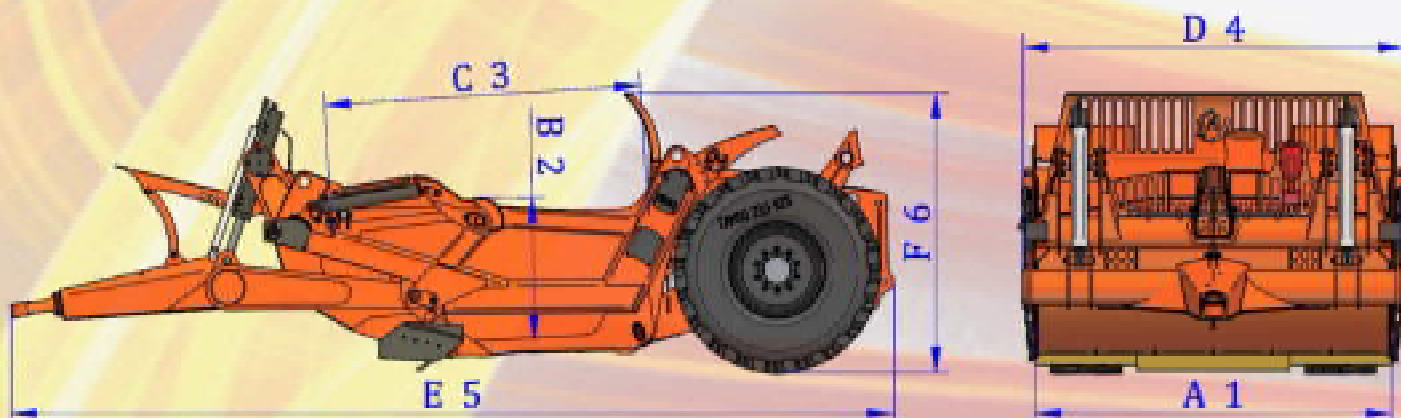
- Mast support included
- Front and rear grid included
- Rear of the machine closed

- Support de mât inclus
- Grilles avant et arrière inclus
- Arrière de la machine fermé

2 RUEDA / WHEEL / ROUE 20/05-25

| MODELO MODEL/MODÈLE | A1 | B2 | C3 | D4 | E5 | F6 | M ³ | HP | KG |
|------------------------|------|-----|------|------|------|------|----------------|---------|------|
| TH42BP-2,50 | 2500 | 950 | 2300 | 2700 | 6020 | 1820 | 6 1/2 | 200-220 | 6720 |
| TH42BP-2,60 | 2600 | 950 | 2300 | 2800 | 6020 | 1820 | 7 | 200-220 | 6820 |
| TH42BP-2,70 | 2700 | 950 | 2300 | 2900 | 6020 | 1820 | 7 1/2 | 220-240 | 6920 |
| TH42BP-2,80 | 2800 | 950 | 2300 | 3000 | 6020 | 1820 | 8 | 220-240 | 7020 |

* Medidas aproximadas / * Approximate measurements / * Mesures approximatives



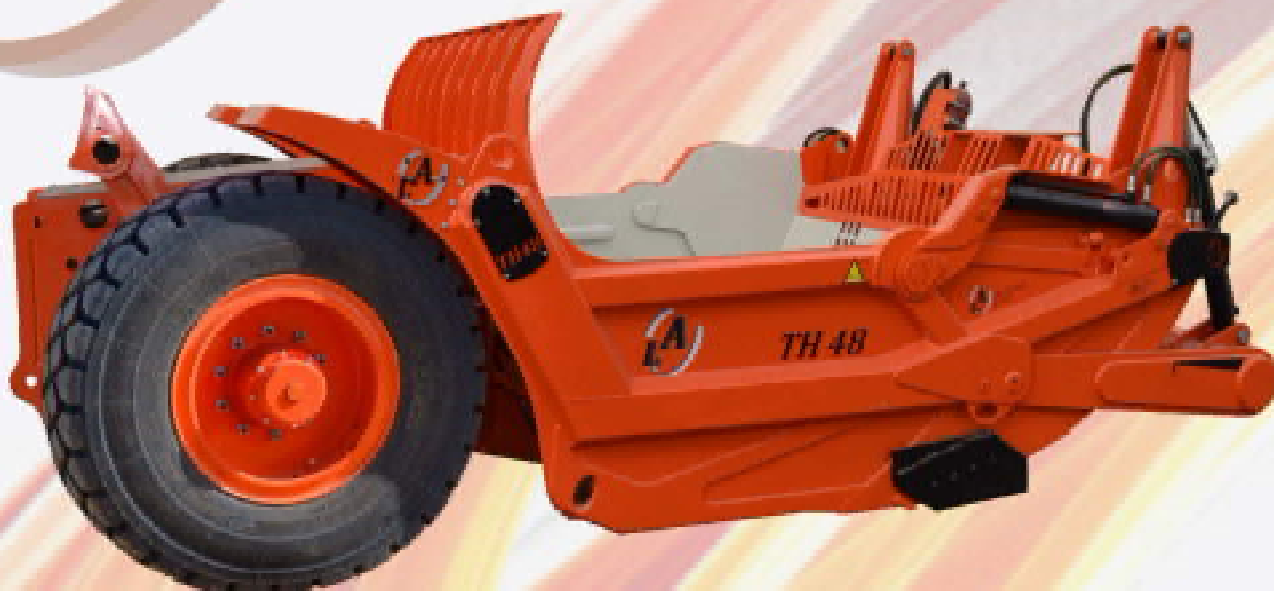


TRAÍLLA HIDRÁULICA DE EMPUJE

HYDRAULIC PUSH SCRAPER

SCRAPER À POUSÉE HYDRAULIQUE

TH 48-BP



- Soporte mástil incluido
- Amortiguación incluida
- Rejillas delantera y trasera incluida

- Mast support included
- Buffer included
- Front and rear grid included

- Support de mât inclus
- Amortissement inclus
- Grilles avant et arrière inclus

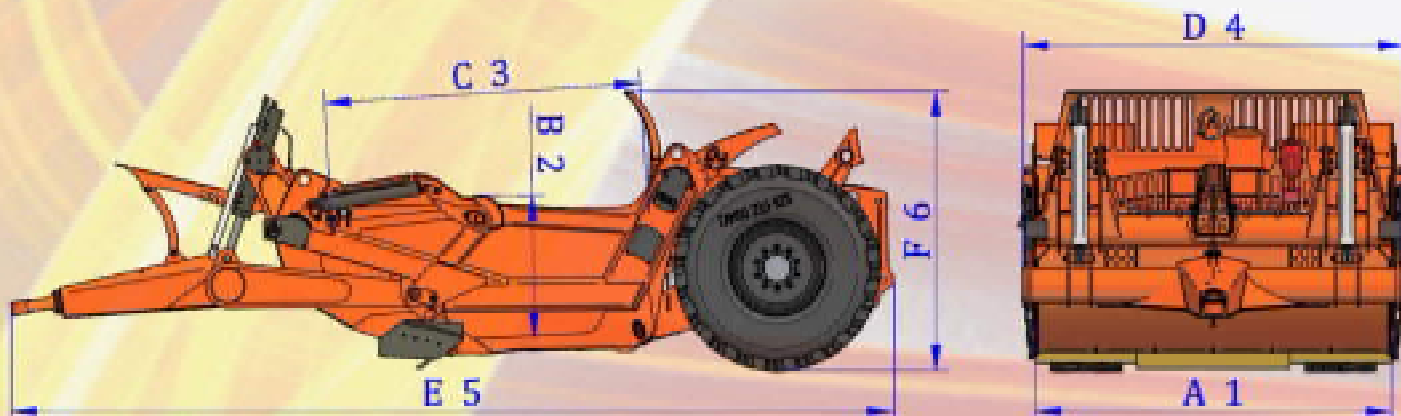
2 RUEDA / WHEEL / ROUE 20/05-25

| MODELO MODEL/MODÈLE | A1 | B2 | C3 | D4 | E5 | F6 | M ³ | HP | KG |
|------------------------|------|------|------|------|------|------|----------------|---------|------|
| TH48BP-2,60 | 2600 | 1000 | 2400 | 2800 | 6710 | 2020 | 8 | 220-240 | 7630 |
| TH48BP-2,70 | 2700 | 1000 | 2400 | 2900 | 6710 | 2020 | 8 1/2 | 240-280 | 7780 |
| TH48BP-2,80 | 2800 | 1000 | 2400 | 3000 | 6710 | 2020 | 9 | 240-280 | 7980 |

2 RUEDA / WHEEL / ROUE 23/05-25

| MODELO MODEL/MODÈLE | A1 | B2 | C3 | D4 | E5 | F6 | M ³ | HP | KG |
|------------------------|------|------|------|------|------|------|----------------|---------|------|
| TH48BP-2,80 | 2800 | 1000 | 2400 | 3000 | 6710 | 2020 | 9 | 240-280 | 7980 |

* Medidas aproximadas / * Approximate measurements / * Mesures approximatives





TRAÍLLA HIDRÁULICA DE EMPUJE ESPECIAL SPECIAL HYDRAULIC PUSH SCRAPER SCRAPER À POUSÉE HYDRAULIQUE SPÉCIAL

TH 48-DOBLE INCLINACIÓN / DOUBLE INCLINE / DOUBLE PENTE

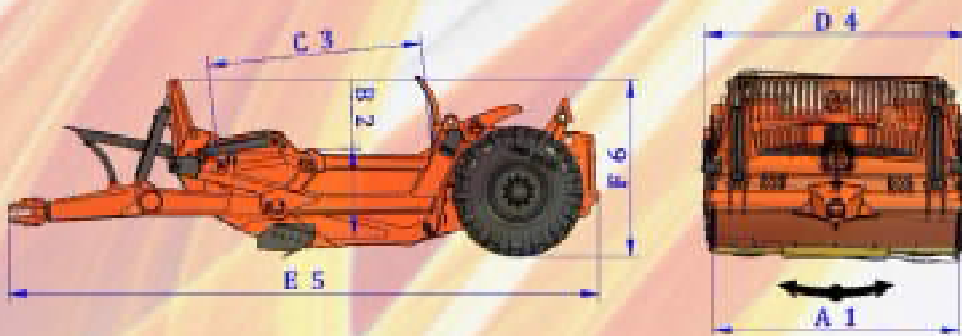
2 RUEDA / WHEEL / ROUE 20/05-25

| MODELO MODEL/MODÈLE | A1 | B2 | C3 | D4 | E5 | F6 | M ³ | HP | KG |
|------------------------|------|------|------|------|------|------|----------------|---------|------|
| TH48DI-2,60 | 2600 | 1000 | 2400 | 2800 | 6710 | 2020 | 8 | 220-240 | 7630 |
| TH48DI-2,70 | 2700 | 1000 | 2400 | 2900 | 6710 | 2020 | 8 1/2 | 240-280 | 7780 |
| TH48DI-2,80 | 2800 | 1000 | 2400 | 3000 | 6710 | 2020 | 9 | 240-280 | 7980 |

2 RUEDA / WHEEL / ROUE 23/05-25

| MODELO MODEL/MODÈLE | A1 | B2 | C3 | D4 | E5 | F6 | M ³ | HP | KG |
|------------------------|------|------|------|------|------|------|----------------|---------|------|
| TH48DI-2,80 | 2800 | 1000 | 2400 | 3000 | 6710 | 2020 | 9 | 240-280 | 7980 |

* Medidas aproximadas / * Approximate measurements / * Mesures approximatives



TH 48-DOBLE ELEVACIÓN / DOUBLE ELEVATION / DOUBLE ÉLÉVATION

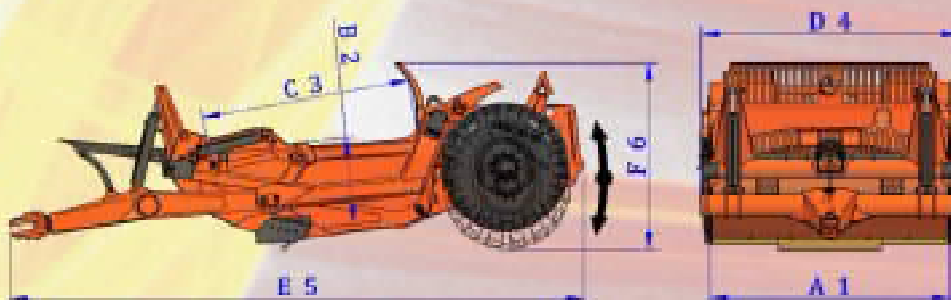
2 RUEDA / WHEEL / ROUE 20/05-25

| MODELO MODEL/MODÈLE | A1 | B2 | C3 | D4 | E5 | F6 | M ³ | HP | KG |
|------------------------|------|------|------|------|------|------|----------------|---------|------|
| TH48DE-2,60 | 2600 | 1000 | 2400 | 2800 | 6710 | 2020 | 8 | 220-240 | 7630 |
| TH48DE-2,70 | 2700 | 1000 | 2400 | 2900 | 6710 | 2020 | 8 1/2 | 240-280 | 7780 |
| TH48DE-2,80 | 2800 | 1000 | 2400 | 3000 | 6710 | 2020 | 9 | 240-280 | 7980 |

2 RUEDA / WHEEL / ROUE 23/05-25

| MODELO MODEL/MODÈLE | A1 | B2 | C3 | D4 | E5 | F6 | M ³ | HP | KG |
|------------------------|------|------|------|------|------|------|----------------|---------|------|
| TH48DE-2,80 | 2800 | 1000 | 2400 | 3000 | 6710 | 2020 | 9 | 240-280 | 7980 |

* Medidas aproximadas / * Approximate measurements / * Mesures approximatives





TRAÍLLA HIDRÁULICA DE EMPUJE HYDRAULIC PUSH SCRAPER SCRAPER À POUSÉE HYDRAULIQUE

TH 51-BP



- Soporte mastil incluido
- Amortiguación incluida
- Rejillas delantera y trasera incluida

- Mast support included
- Buffer included
- Front and rear grid included

- Support de mât inclus
- Amortissement inclus
- Grilles avant et arrière inclus

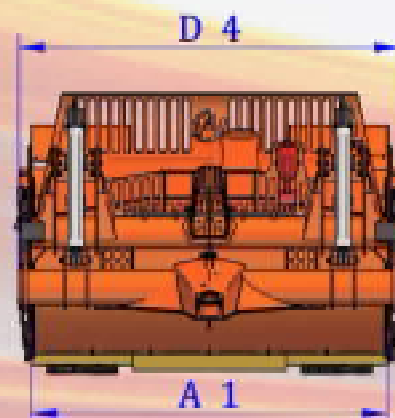
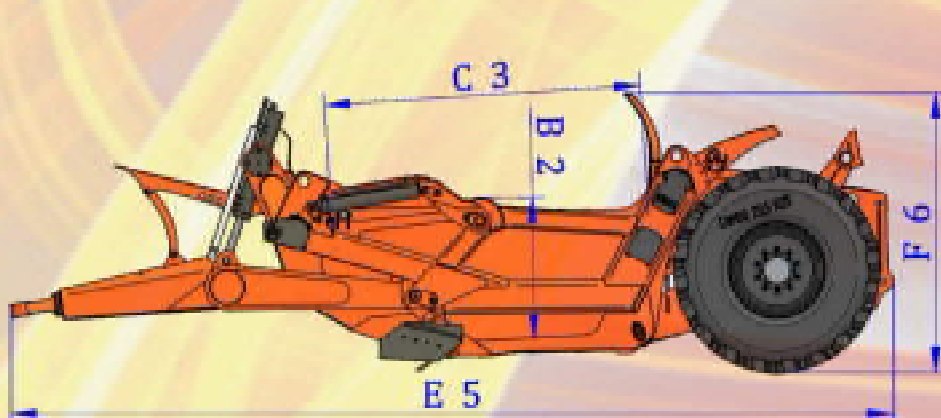
2 RUEDA / WHEEL / ROUE 20/05-25

| MODELO MODEL/MODÈLE | A1 | B2 | C3 | D4 | E5 | F6 | M ³ | HP | KG |
|------------------------|------|------|------|------|------|------|----------------|---------|------|
| TH51BP-2,70 | 2700 | 1100 | 2460 | 2900 | 6800 | 2020 | 9 1/2 | 280-320 | 8250 |
| TH51BP-2,80 | 2800 | 1100 | 2460 | 3000 | 6800 | 2020 | 10 | 280-320 | 8350 |

2 RUEDA / WHEEL / ROUE 23/05-25

| MODELO MODEL/MODÈLE | A1 | B2 | C3 | D4 | E5 | F6 | M ³ | HP | KG |
|------------------------|------|------|------|------|------|------|----------------|---------|------|
| TH51BP-2,70 | 2700 | 1100 | 2460 | 2900 | 6800 | 2085 | 9 1/2 | 280-320 | 8800 |
| TH51BP-2,80 | 2800 | 1100 | 2460 | 3000 | 6800 | 2085 | 10 | 280-320 | 8900 |
| TH51BP-3,00 | 3000 | 1100 | 2460 | 3200 | 6800 | 2085 | 11 | 280-320 | 9100 |

* Medidas aproximadas / * Approximate measurements / * Mesures approximatives





TRAÍLLA HIDRÁULICA DE EMPUJE ESPECIAL SPECIAL HYDRAULIC PUSH SCRAPER SCRAPER À POUSÉE HYDRAULIQUE SPÉCIAL

TH 51-DOBLE INCLINACIÓN / DOUBLE INCLINE / DOUBLE PENTE

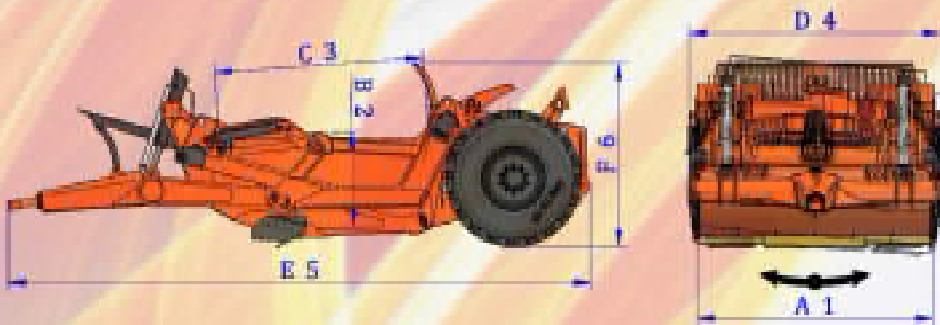
2 RUEDA / WHEEL / ROUE 20/05-25

| MODELO MODEL/MODÈLE | A1 | B2 | C3 | D4 | E5 | F6 | M ³ | HP | KG |
|------------------------|------|------|------|------|------|------|----------------|---------|------|
| TH51DI-2,70 | 2700 | 1100 | 2460 | 2900 | 6800 | 2020 | 9 1/2 | 280-320 | 8250 |
| TH51DI-2,80 | 2800 | 1100 | 2460 | 3000 | 6800 | 2020 | 10 | 280-320 | 8350 |

2 RUEDA / WHEEL / ROUE 23/05-25

| MODELO MODEL/MODÈLE | A1 | B2 | C3 | D4 | E5 | F6 | M ³ | HP | KG |
|------------------------|------|------|------|------|------|------|----------------|---------|------|
| TH51DI-2,70 | 2700 | 1100 | 2460 | 2900 | 6800 | 2085 | 9 1/2 | 280-320 | 8800 |
| TH51DI-2,80 | 2800 | 1100 | 2460 | 3000 | 6800 | 2085 | 10 | 280-320 | 8900 |
| TH51DI-3,00 | 3000 | 1100 | 2460 | 3200 | 6800 | 2085 | 11 | 280-320 | 9100 |

* Medidas aproximadas / * Approximate measurements / * Mesures approximatives



TH 51-DOBLE ELEVACIÓN / DOUBLE ELEVATION / DOUBLE ÉLÉVATION

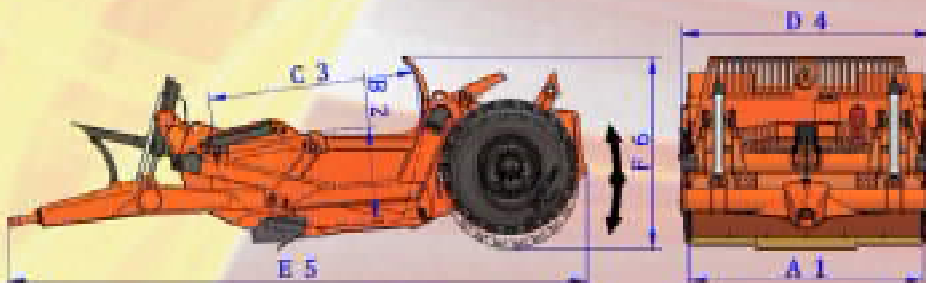
2 RUEDA / WHEEL / ROUE 20/05-25

| MODELO MODEL/MODÈLE | A1 | B2 | C3 | D4 | E5 | F6 | M ³ | HP | KG |
|------------------------|------|------|------|------|------|------|----------------|---------|------|
| TH51DE-2,70 | 2700 | 1100 | 2460 | 2900 | 6800 | 2020 | 9 1/2 | 280-320 | 8250 |
| TH51DE-2,80 | 2800 | 1100 | 2460 | 3000 | 6800 | 2020 | 10 | 280-320 | 8350 |

2 RUEDA / WHEEL / ROUE 23/05-25

| MODELO MODEL/MODÈLE | A1 | B2 | C3 | D4 | E5 | F6 | M ³ | HP | KG |
|------------------------|------|------|------|------|------|------|----------------|---------|------|
| TH51DE-2,70 | 2700 | 1100 | 2460 | 2900 | 6800 | 2085 | 9 1/2 | 280-320 | 8800 |
| TH51DE-2,80 | 2800 | 1100 | 2460 | 3000 | 6800 | 2085 | 10 | 280-320 | 8900 |
| TH51DE-3,00 | 3000 | 1100 | 2460 | 3200 | 6800 | 2085 | 11 | 280-320 | 9100 |

* Medidas aproximadas / * Approximate measurements / * Mesures approximatives



LA

TRAÍLLA HIDRÁULICA DE EMPUJE HYDRAULIC PUSH SCRAPER SCRAPER À POUSÉE HYDRAULIQUE

TH 61-BP



- Soporte mastil incluido
- Amortiguación incluida
- Rejillas delantera y trasera incluida
- Parte trasera cerrada

- Mast support included
- Buffer included
- Front and rear grid included
- Rear of the machine closed

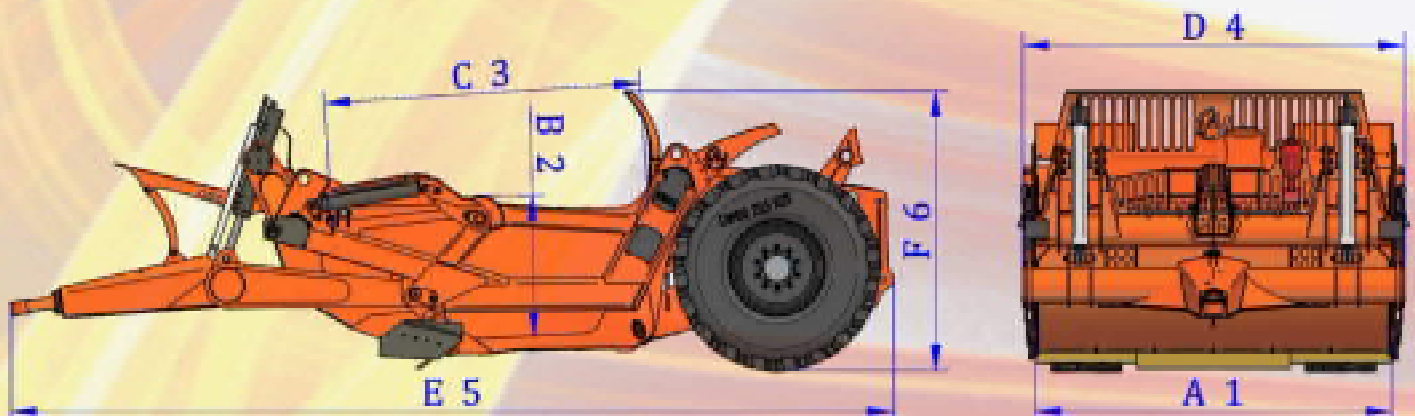
- Support de mât inclus
- Amortissement inclus
- Grilles avant et arrière inclus
- Arrière de la machine fermé

2 RUEDA / WHEEL / ROUE

23/05-25

| MODELO MODEL/MODÈLE | A1 | B2 | C3 | D4 | E5 | F6 | M ³ | HP | KG |
|------------------------|------|------|------|------|------|------|----------------|---------|------|
| TH61BP-2,80 | 2800 | 1200 | 2560 | 3000 | 6960 | 2200 | 11 | 320-380 | 9100 |
| TH61BP-3,00 | 3000 | 1200 | 2560 | 3200 | 6960 | 2200 | 12 | 320-380 | 9200 |
| TH61BP-3,20 | 3200 | 1200 | 2560 | 3400 | 6960 | 2200 | 13 | 320-380 | 9300 |

* Medidas aproximadas / * Approximate measurements / * Mesures approximatives





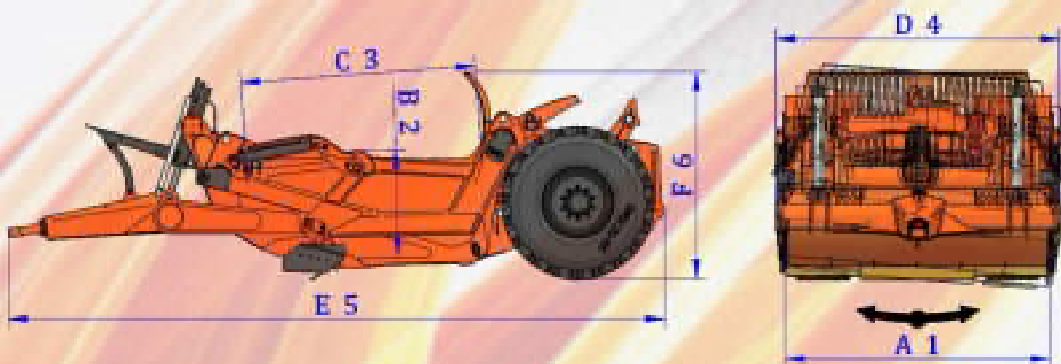
TRAÍLLA HIDRÁULICA DE EMPUJE ESPECIAL SPECIAL HYDRAULIC PUSH SCRAPER SCRAPER À POUSÉE HYDRAULIQUE SPÉCIAL

TH 61-DOBLE INCLINACIÓN / DOUBLE INCLINE / DOUBLE PENTE

2 RUEDA / WHEEL / ROUE 23/05-25

| MODELO MODEL/MODÈLE | A1 | B2 | C3 | D4 | E5 | F6 | M ³ | HP | KG |
|------------------------|------|------|------|------|------|------|----------------|---------|------|
| TH61DI-2,80 | 2800 | 1200 | 2560 | 3000 | 6960 | 2200 | 11 | 320-380 | 9100 |
| TH61DI-3,00 | 3000 | 1200 | 2560 | 3200 | 6960 | 2200 | 12 | 320-380 | 9200 |
| TH61DI-3,20 | 3200 | 1200 | 2560 | 3400 | 6960 | 2200 | 13 | 320-380 | 9300 |

* Medidas aproximadas / * Approximate measurements / * Mesures approximatives

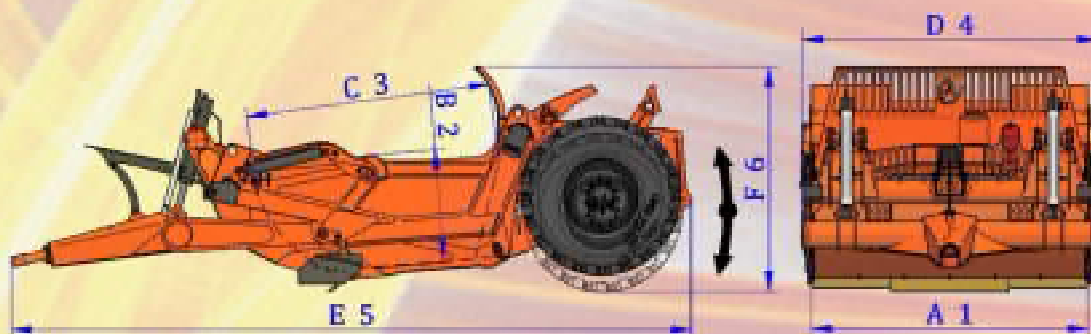


TH 61-DOBLE ELEVACIÓN / DOUBLE ELEVATION / DOUBLE ÉLÉVATION

2 RUEDA / WHEEL / ROUE 23/05-25

| MODELO MODEL/MODÈLE | A1 | B2 | C3 | D4 | E5 | F6 | M ³ | HP | KG |
|------------------------|------|------|------|------|------|------|----------------|---------|------|
| TH61DE-2,80 | 2800 | 1200 | 2560 | 3000 | 6960 | 2200 | 11 | 320-380 | 9100 |
| TH61DE-3,00 | 3000 | 1200 | 2560 | 3200 | 6960 | 2200 | 12 | 320-380 | 9200 |
| TH61DE-3,20 | 3200 | 1200 | 2560 | 3400 | 6960 | 2200 | 13 | 320-380 | 9300 |

* Medidas aproximadas / * Approximate measurements / * Mesures approximatives





TRAÍLLA HIDRÁULICA DE EMPUJE

HYDRAULIC PUSH SCRAPER

SCRAPER À POUSÉE HYDRAULIQUE

TH 63-BP



- Soporte mástil incluido
- Amortiguación incluida
- Rejillas delantera y trasera incluida
- Parte trasera cerrada

- Mast support included
- Buffer included
- Front and rear grid included
- Rear of the machine closed

- Support de mât inclus
- Amortissement inclus
- Grilles avant et arrière inclus
- Arrière de la machine fermé

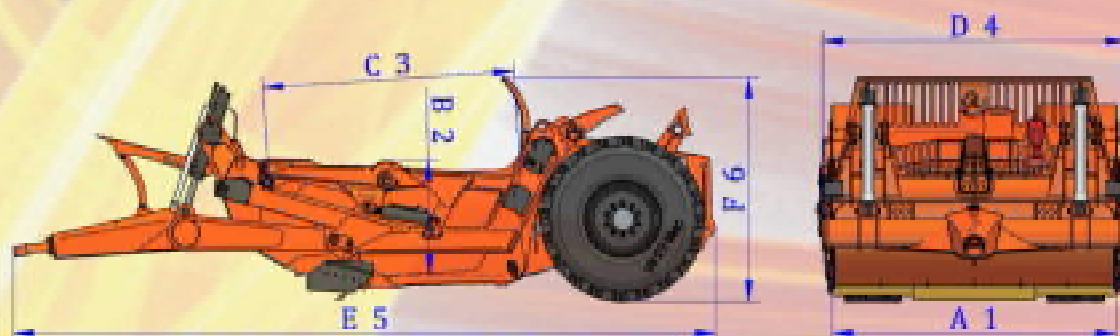
2 RUEDA / WHEEL / ROUE 23/05-25

| MODELO MODEL/MODÈLE | A1 | B2 | C3 | D4 | E5 | F6 | M ³ | HP | KG |
|------------------------|------|------|------|------|------|------|----------------|---------|-------|
| TH63BP-2,80 | 2800 | 1250 | 2750 | 3000 | 7300 | 2270 | 12 | 345-380 | 10000 |
| TH63BP-3,00 | 3000 | 1250 | 2750 | 3300 | 7600 | 2270 | 13 | 380-460 | 10800 |

2 RUEDA / WHEEL / ROUE 26/05-25

| MODELO MODEL/MODÈLE | A1 | B2 | C3 | D4 | E5 | F6 | M ³ | HP | KG |
|------------------------|------|------|------|------|------|------|----------------|---------|-------|
| TH63BP-2,80 | 2800 | 1250 | 2750 | 3300 | 7600 | 2270 | 12 | 345-380 | 10600 |
| TH63BP-3,00 | 3000 | 1250 | 2750 | 3300 | 7600 | 2270 | 13 | 380-460 | 11100 |
| TH63BP-3,20 | 3200 | 1250 | 2750 | 3500 | 7600 | 2270 | 14 | 420-180 | 11600 |
| TH63BP-3,40 | 3400 | 1250 | 2750 | 3700 | 7600 | 2270 | 15 | 460-520 | 12100 |

* Medidas aproximadas / * Approximate measurements / * Mesures approximatives



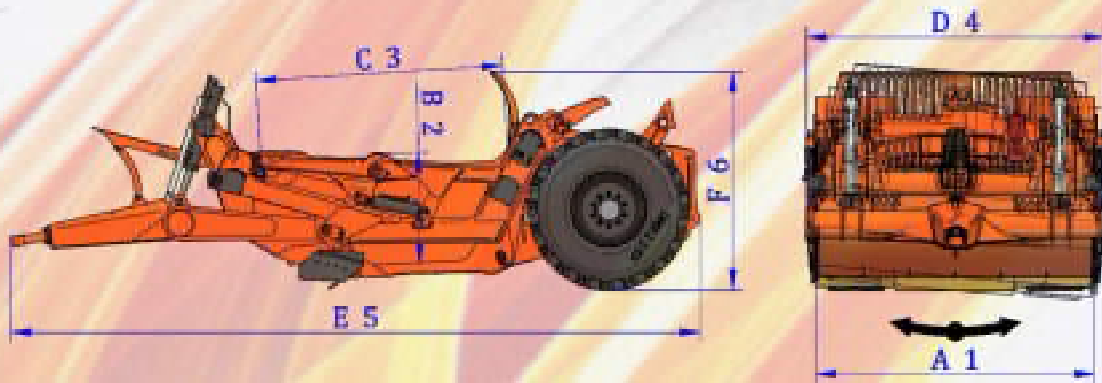
TRAÍLLA HIDRÁULICA DE EMPUJE ESPECIAL SPECIAL HYDRAULIC PUSH SCRAPER SCRAPER À POUSÉE HYDRAULIQUE SPÉCIAL

TH 63-DOBLE INCLINACIÓN / DOUBLE INCLINE / DOUBLE PENTE

| 2 RUEDA / WHEEL / ROUE | | | | | | | | | |
|------------------------|------|------|------|------|------|------|----------------|---------|-------|
| MODELO MODEL/MOÛÈLE | A1 | B2 | C3 | D4 | E5 | F6 | M ³ | HP | KG |
| TH63DI-2,80 | 2800 | 1250 | 2750 | 3000 | 7300 | 2270 | 12 | 345-380 | 10000 |
| TH63DI-3,00 | 3000 | 1250 | 2750 | 3300 | 7600 | 2270 | 13 | 380-460 | 10800 |

| 2 RUEDA / WHEEL / ROUE | | | | | | | | | |
|------------------------|------|------|------|------|------|------|----------------|---------|-------|
| MODELO MODEL/MOÛÈLE | A1 | B2 | C3 | D4 | E5 | F6 | M ³ | HP | KG |
| TH63DI-2,80 | 2800 | 1250 | 2750 | 3300 | 7600 | 2270 | 12 | 345-380 | 10600 |
| TH63DI-3,00 | 3000 | 1250 | 2750 | 3300 | 7600 | 2270 | 13 | 380-460 | 11100 |
| TH63DI-3,20 | 3200 | 1250 | 2750 | 3500 | 7600 | 2270 | 14 | 420-180 | 11600 |
| TH63DI-3,40 | 3400 | 1250 | 2750 | 3700 | 7600 | 2270 | 15 | 460-520 | 12100 |

* Medidas aproximadas / * Approximate measurements / * Mesures approximatives

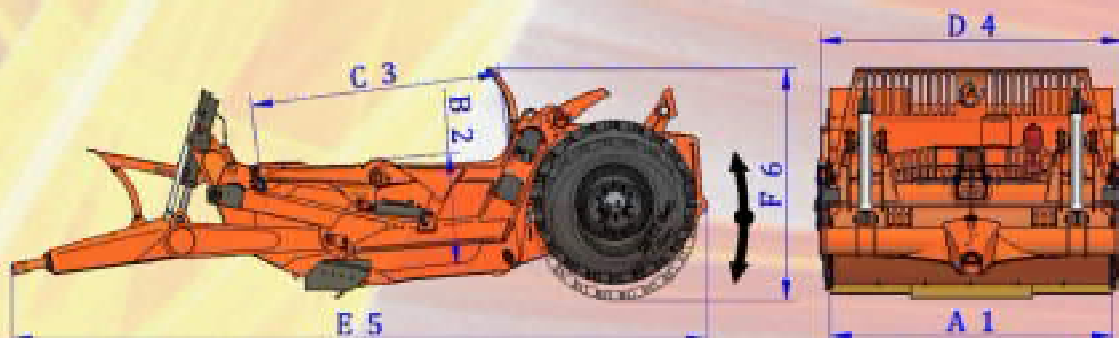


TH 63-DOBLE ELEVACIÓN / DOUBLE ELEVATION / DOUBLE ÉLÉVATION

| 2 RUEDA / WHEEL / ROUE | | | | | | | | | |
|------------------------|------|------|------|------|------|------|----------------|---------|-------|
| MODELO MODEL/MOÛÈLE | A1 | B2 | C3 | D4 | E5 | F6 | M ³ | HP | KG |
| TH63DE-2,80 | 2800 | 1250 | 2750 | 3000 | 7300 | 2270 | 12 | 345-380 | 10000 |
| TH63DE-3,00 | 3000 | 1250 | 2750 | 3300 | 7600 | 2270 | 13 | 380-460 | 10800 |

| 2 RUEDA / WHEEL / ROUE | | | | | | | | | |
|------------------------|------|------|------|------|------|------|----------------|---------|-------|
| MODELO MODEL/MOÛÈLE | A1 | B2 | C3 | D4 | E5 | F6 | M ³ | HP | KG |
| TH63DE-2,80 | 2800 | 1250 | 2750 | 3300 | 7600 | 2270 | 12 | 345-380 | 10600 |
| TH63DE-3,00 | 3000 | 1250 | 2750 | 3300 | 7600 | 2270 | 13 | 380-460 | 11100 |
| TH63DE-3,20 | 3200 | 1250 | 2750 | 3500 | 7600 | 2270 | 14 | 420-180 | 11600 |
| TH63DE-3,40 | 3400 | 1250 | 2750 | 3700 | 7600 | 2270 | 15 | 460-520 | 12100 |

* Medidas aproximadas / * Approximate measurements / * Mesures approximatives





TRAÍLLA HIDRÁULICA DE EMPUJE
 HYDRAULIC PUSH SCRAPER
 SCRAPER À POUSÉE HYDRAULIQUE

TH 66-BP



- Rejillas delantera y trasera incluida

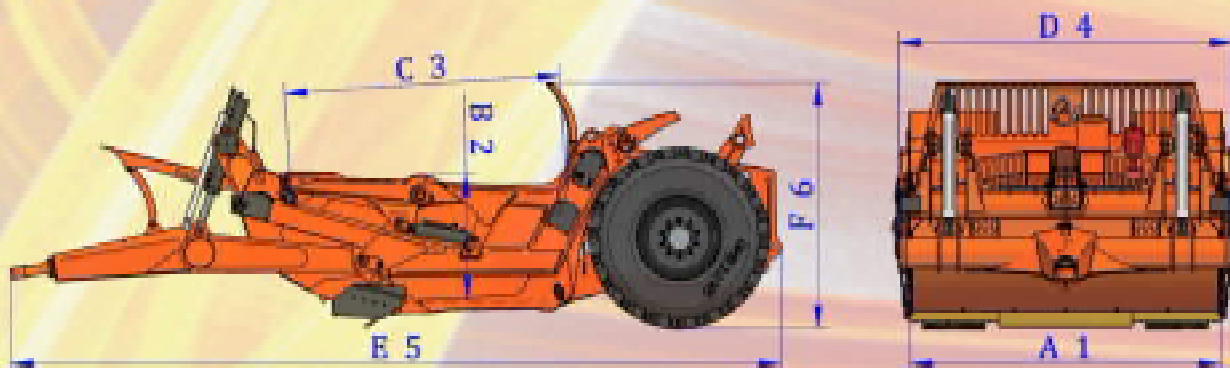
- Front and rear grid included

- Grilles avant et arrière inclus

4 RUEDA / WHEEL / ROUE 20/05-25

| MODELO MODEL/MODÈLE | A1 | B2 | C3 | D4 | E5 | F6 | M ³ | HP | KG |
|------------------------|------|------|------|------|------|------|----------------|---------|-------|
| TH66BP-3,40 | 3400 | 1300 | 2750 | 3780 | 8400 | 2270 | 16 | 420-480 | 12800 |
| TH66BP-3,60 | 3600 | 1300 | 2750 | 3980 | 8400 | 2270 | 18 | 480-520 | 13200 |

* Medidas aproximadas / * Approximate measurements / * Mesures approximatives



| TH25 / TH30 |
|--|
| ANCLAJE MASTIL - HIDROVÁLVULAS |
| <i>ANCHOR MAST - HYDROVALVES</i> |
| <i>MÂT D'ANGRAGE - HYDROVALVES</i> |
| MASTIL HIDRAULICO |
| <i>HYDRAULIC MAST</i> |
| <i>MÂT HYDRAULIQUE</i> |
| VÁLVULA DE SECUENCIA |
| <i>SEQUENCE VALVE</i> |
| <i>VALVE DE SÉQUENCE</i> |
| AUTOMATIZACIÓN LÁSER / GPS CON HIDROVÁLVULA |
| <i>AUTOMATION LASER / GPS WITH HYDROVALVES</i> |
| <i>AUTOMATISATION LASER / GPS AVEC HYDROVALVES</i> |
| AUTOMATIZACIÓN CON DISTRIBUIDOR PROPORCIONAL Y FILTRO DE PRESIÓN |
| <i>AUTOMATION LASER / GPS WITH PROPORTIONAL DISTRIBUTOR AND PRESSURE FILTRE</i> |
| <i>AUTOMATISATION LASER / GPS D'UN DISTRIBUTEUR PROPORTIONNEL ET FILTRE PRESSION</i> |

| TH35 |
|--|
| ANCLAJE MASTIL - HIDROVÁLVULAS |
| <i>ANCHOR MAST - HYDROVALVES</i> |
| <i>MÂT D'ANGRAGE - HYDROVALVES</i> |
| MASTIL HIDRAULICO |
| <i>HYDRAULIC MAST</i> |
| <i>MÂT HYDRAULIQUE</i> |
| VÁLVULA DE SECUENCIA |
| <i>SEQUENCE VALVE</i> |
| <i>VALVE DE SÉQUENCE</i> |
| RIPPER 3 BRAZOS (MODELO PEQUEÑO) |
| <i>RIPPER 3 ARMS (SMALL MODEL)</i> |
| <i>RIPPER 3 DENTS (PETIT MODÈLE)</i> |
| AUTOMATIZACIÓN LÁSER / GPS CON HIDROVÁLVULA |
| <i>AUTOMATION LASER / GPS WITH HYDROVALVES</i> |
| <i>AUTOMATISATION LASER / GPS AVEC HYDROVALVES</i> |
| AUTOMATIZACIÓN CON DISTRIBUIDOR PROPORCIONAL Y FILTRO DE PRESIÓN |
| <i>AUTOMATION LASER / GPS WITH PROPORTIONAL DISTRIBUTOR AND PRESSURE FILTRE</i> |
| <i>AUTOMATISATION LASER / GPS D'UN DISTRIBUTEUR PROPORTIONNEL ET FILTRE PRESSION</i> |

| TH38 |
|--|
| ANCLAJE MASTIL - HIDROVÁLVULAS |
| <i>ANCHOR MAST - HYDROVALVES</i> |
| <i>MÂT D'ANCRAGE - HYDROVALVES</i> |
| MASTIL HIDRAULICO |
| <i>HYDRAULIC MAST</i> |
| <i>MÂT HYDRAULIQUE</i> |
| VÁLVULA DE SECUENCIA |
| <i>SEQUENCE VALVE</i> |
| <i>VALVE DE SÉQUENCE</i> |
| RIPPER 3 BRAZOS (MODELO PEQUEÑO) |
| <i>RIPPER 3 ARMS (SMALL MODEL)</i> |
| <i>RIPPER 3 DENTS (PETIT MODÈLE)</i> |
| RIPPER 5 BRAZOS (MODELO PEQUEÑO) |
| <i>RIPPER 5 ARMS (SMALL MODEL)</i> |
| <i>RIPPER 5 DENTS (PETIT MODÈLE)</i> |
| ANCLAJE RIPPER CON TUBERIAS (SIN RIPPER) |
| <i>ANCHOR RIPPER WITH PIPES (WITHOUT RIPPER)</i> |
| <i>RIPPER ANCRAGE AVEC TUYAUX (SANS RIPPER)</i> |
| ENGANCHE TRASERO SIN TUBERIAS |
| <i>REAR HITCH WITHOUT PIPES</i> |
| <i>ATTELAGE ARRIÈRE SANS TUYAUX</i> |
| ENGANCHE TRASERO CON 4 TUBERIAS |
| <i>REAR HITCH WITH 4 PIPES</i> |
| <i>ATTELAGE ARRIÈRE AVEC 4 TUYAUX</i> |
| ENGANCHE TRASERO CON 6 TUBERIAS |
| <i>REAR HITCH WITH 6 PIPES</i> |
| <i>ATTELAGE ARRIÈRE AVEC 6 TUYAUX</i> |
| AMORTIGUACIÓN |
| <i>BUFFER</i> |
| <i>AMORISSEMENT</i> |
| REJILLA TAJADERA |
| <i>CHOPPING BOARD GRID</i> |
| <i>GRILLAGE TRANCHOIR</i> |
| AUTOMATIZACIÓN LÁSER / GPS CON HIDROVÁLVULA |
| <i>AUTOMATION LASER / GPS WITH HYDROVALVES</i> |
| <i>AUTOMATISATION LASER / GPS AVEC HYDROVALVES</i> |
| AUTOMATIZACIÓN CON DISTRIBUIDOR PROPORCIONAL Y FILTRO DE PRESIÓN |
| <i>AUTOMATION LASER / GPS WITH PROPORTIONAL DISTRIBUTOR AND PRESSURE FILTRE</i> |
| <i>AUTOMATISATION LASER / GPS D'UN DISTRIBUTEUR PROPORTIONNEL ET FILTRE PRESSION</i> |

TH39-BP / TH42-BP

MASTIL HIDRAULICO

HYDRAULIC MAST

MÂT HYDRAULIQUE

VÁLVULA DE SECUENCIA

SEQUENCE VALVE

VALVE DE SÉQUENCE

RIPPER 5 BRAZOS (MODELO PEQUEÑO)

RIPPER 5 ARMS (SMALL MODEL)

RIPPER 5 DENTS (PETIT MODÈLE)

ANCLAJE RIPPER CON TUBERIAS (SIN RIPPER)

ANCHOR RIPPER WITH PIPES (WITHOUT RIPPER)

RIPPER ANCRAGE AVEC TUYAUX (SANS RIPPER)

ENGANCHE TRASERO SIN TUBERIAS

REAR HITCH WITHOUT PIPES

ATTELAGE ARRIÈRE SANS TUYAUX

ENGANCHE TRASERO CON 4 TUBERIAS

REAR HITCH WITH 4 PIPES

ATTELAGE ARRIÈRE AVEC 4 TUYAUX

ENGANCHE TRASERO CON 6 TUBERIAS

REAR HITCH WITH 6 PIPES

ATTELAGE ARRIÈRE AVEC 6 TUYAUX

CONJUNTO PIRULO ATORNILLADO

SCREMED PIRULO SET

ENSEMBLE PIRULO VISSÉ

CONJUNTO PIRULO PARA ENGANCHE TRASERO

PIRULO ASSY FOR REAR HITCH

ENSEMBLE D'ATTELAGE PIRULO

AMORTIGUACIÓN

BUFFER

AMORISSEMENT

AUTOMATIZACIÓN LÁSER / GPS CON HIDROVÁLVULA

AUTOMATION LASER / GPS WITH HYDROVALVES

AUTOMATISATION LASER / GPS AVEC HYDROVALVES

AUTOMATIZACIÓN CON DISTRIBUIDOR PROPORCIONAL Y FILTRO DE PRESIÓN

AUTOMATION LASER / GPS WITH PROPORTIONAL DISTRIBUTOR AND PRESSURE FILTRE

AUTOMATISATION LASER / GPS D'UN DISTRIBUTEUR PROPORTIONNEL ET FILTRE PRESSION

| |
|--|
| TH48-BP / TH51-BP / TH61-BP |
| MASTIL HIDRAULICO |
| <i>HYDRAULIC MAST</i> |
| <i>MÂT HYDRAULIQUE</i> |
| VÁLVULA DE SECUENCIA |
| <i>SEQUENCE VALVE</i> |
| <i>VALVE DE SÉQUENCE</i> |
| RIPPER |
| <i>RIPPER</i> |
| <i>RIPPER</i> |
| ANCLAJE RIPPER CON TUBERIAS (SIN RIPPER) |
| <i>ANCHOR RIPPER WITH PIPES (WITHOUT RIPPER)</i> |
| <i>RIPPER ANCRAGE AVEC TUYAUX (SANS RIPPER)</i> |
| RIPPER CON ENGANCHE RÁPIDO |
| <i>RIPPER WITH QUICK HITCH</i> |
| <i>RIPPER AVEC ATTELAGE RAPIDE</i> |
| ANCLAJE RIPPER ENGANCHE RÁPIDO CON TUBERIAS (SIN RIPPER) |
| <i>ANCHOR RIPPER RAPID HITCH WITH PIPES (WITHOUT RIPPER)</i> |
| <i>RIPPER ANCRAGE ATTELAGE RAPIDE AVEC TUYAUX (SANS RIPPER)</i> |
| ENGANCHE TRASERO SIN TUBERIAS |
| <i>REAR HITCH WITHOUT PIPES</i> |
| <i>ATTELAGE ARRIÈRE SANS TUYAUX</i> |
| ENGANCHE TRASERO CON 4 TUBERIAS |
| <i>REAR HITCH WITH 4 PIPES</i> |
| <i>ATTELAGE ARRIÈRE AVEC 4 TUYAUX</i> |
| ENGANCHE TRASERO CON 6 TUBERIAS |
| <i>REAR HITCH WITH 6 PIPES</i> |
| <i>ATTELAGE ARRIÈRE AVEC 6 TUYAUX</i> |
| CONJUNTO PIRULO ATORNILLADO |
| <i>SCREMED PIRULO SET</i> |
| <i>ENSEMBLE PIRULO VISSÉ</i> |
| CONJUNTO PIRULO PARA ENGANCHE TRASERO |
| <i>PIRULO ASSY FOR REAR HITCH</i> |
| <i>ENSEMBLE D'ATTELAGE PIRULO</i> |
| DESVIADORA CON CABLE (3 MOV.) |
| <i>DIVERTER WITH CABLE (3 MOV.)</i> |
| <i>INVERSEUR AVEC CABLE (3 MOV.)</i> |
| SOPORTE CENTRAL GPS |
| <i>CENTRAL SUPPORT GPS</i> |
| <i>SUPPORT GPS CENTRAL</i> |
| AUTOMATIZACIÓN LÁSER / GPS CON HIDROVÁLVULA |
| <i>AUTOMATION LASER / GPS WITH HYDROVALVES</i> |
| <i>AUTOMATISATION LASER / GPS AVEC HYDROVALVES</i> |
| AUTOMATIZACIÓN CON DISTRIBUIDOR PROPORCIONAL Y FILTRO DE PRESIÓN |
| <i>AUTOMATION LASER / GPS WITH PROPORTIONAL DISTRIBUTOR AND PRESSURE FILTRE</i> |
| <i>AUTOMATISATION LASER / GPS D'UN DISTRIBUTEUR PROPORTIONNEL ET FILTRE PRESSION</i> |

TH63-BP

MASTIL HIDRAULICO

HYDRAULIC MAST

MÂT HYDRAULIQUE

VÁLVULA DE SECUENCIA

SEQUENCE VALVE

VALVE DE SÉQUENCE

RIPPER

RIPPER

RIPPER

ANCLAJE RIPPER CON TUBERIAS (SIN RIPPER)

ANCHOR RIPPER WITH PIPES (WITHOUT RIPPER)

RIPPER ANCRAGE AVEC TUYAUX (SANS RIPPER)

RIPPER CON ENGANCHE RÁPIDO

RIPPER WITH QUICK HITCH

RIPPER AVEC ATTELAGE RAPIDE

ANCLAJE RIPPER ENGANCHE RÁPIDO CON TUBERIAS (SIN RIPPER)

ANCHOR RIPPER RAPID HITCH WITH PIPES (WITHOUT RIPPER)

RIPPER ANCRAGE ATTELAGE RAPIDE AVEC TUYAUX (SANS RIPPER)

ENGANCHE TRASERO SIN TUBERIAS

REAR HITCH WITHOUT PIPES

ATTELAGE ARRIÈRE SANS TUYAUX

ENGANCHE TRASERO CON 4 TUBERIAS

REAR HITCH WITH 4 PIPES

ATTELAGE ARRIÈRE AVEC 4 TUYAUX

ENGANCHE TRASERO CON 6 TUBERIAS

REAR HITCH WITH 6 PIPES

ATTELAGE ARRIÈRE AVEC 6 TUYAUX

CONJUNTO PIRULO ATORNILLADO

SCREMED PIRULO SET

ENSEMBLE PIRULO VISSÉ

CONJUNTO PIRULO PARA ENGANCHE TRASERO

PIRULO ASSY FOR REAR HITCH

ENSEMBLE D'ATTELAGE PIRULO

DESVIADORA CON CABLE (3 MOV.)

DIVERTER WITH CABLE (3 MOV.)

INVERSEUR AVEC CABLE (3 MOV.)

SOPORTE CENTRAL GPS

CENTRAL SUPPORT GPS

SUPPORT GPS CENTRAL

AUTOMATIZACIÓN LÁSER / GPS CON HIDROVÁLVULA

AUTOMATION LASER / GPS WITH HYDROVALVES

AUTOMATISATION LASER / GPS AVEC HYDROVALVES

AUTOMATIZACIÓN CON DISTRIBUIDOR PROPORCIONAL Y FILTRO DE PRESIÓN

AUTOMATION LASER / GPS WITH PROPORTIONAL DISTRIBUTOR AND PRESSURE FILTRE

AUTOMATISATION LASER / GPS D'UN DISTRIBUTEUR PROPORTIONNEL ET FILTRE PRESSION

TH-DI

SOPORTE CENTRAL GPS DOBLE / MASTIL

CENTRAL SUPPORT GPS DOUBLE / MAST

SUPPORT GPS CENTRALDOUBLE / MÂT

AUTOMATIZACIÓN LÁSER / GPS DPC130 (2 MOV) + FILTRO

AUTOMATION LASER / GPS DPC130 (2 MOV) + FILTER

AUTOMATISATION LASER / GPS DPC130 (2 MOV) + FILTRE